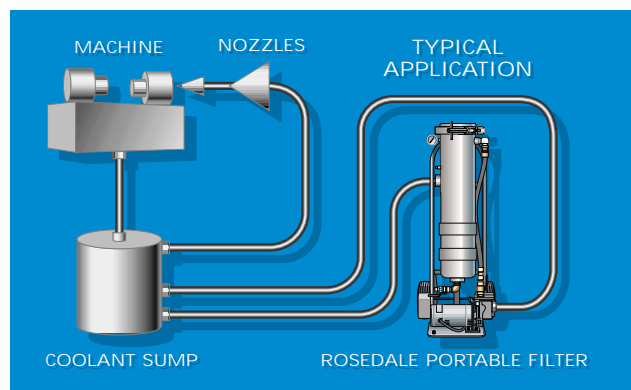


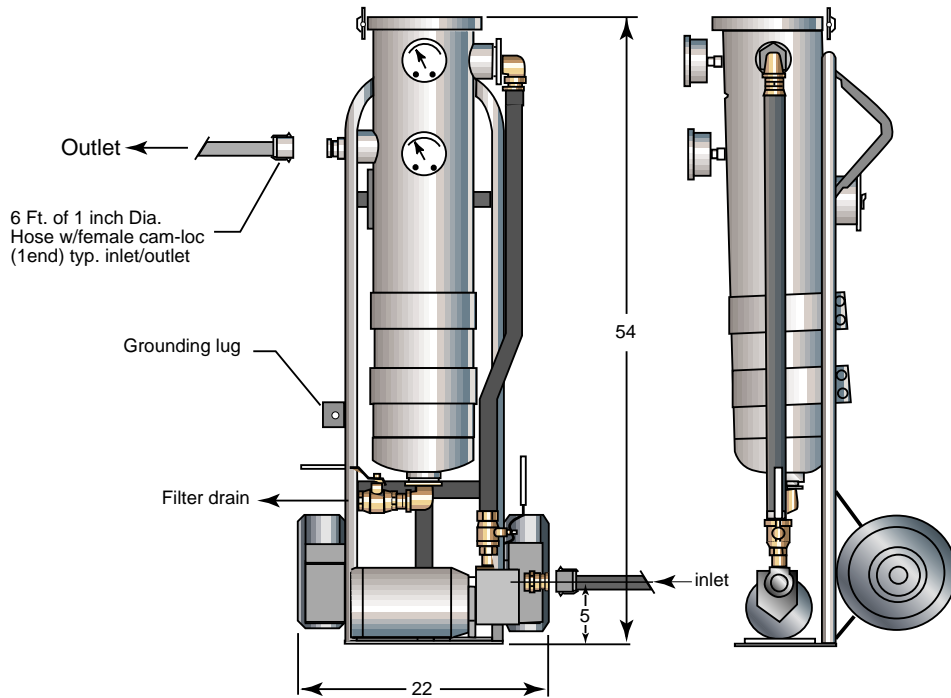
## **R** Portable Filter Cart For Coolants and Metalworking Fluids Rugged, Versatile, and On the Move ...

Rosedale Products, Inc. introduces a versatile portable filter cart (PFC). Easily movable from machine to machine, holding tank to reservoir, and drum to tank, these two wheel hand truck systems provide a means for pre-filtering and transferring fluids. These mobile units are most effective controlling particulate problems before they cause damage to critical production equipment. Rosedale's PFCs' high-flow, industrial quality centrifugal pumps transfer fluids quickly and economically.

### **Applications**

Portable filter systems can be used with coolants and other fluids with viscosities of 300 ssu or less that are compatible with aluminum and steel. Most of these fluids, when they come right out of the drum, are unfit for use in hydraulic and lube systems. Contamination enters the fluid during processing, mixing, handling and storage. Solid particulate may be present in unacceptable levels. Portable filter carts are the ideal means of pre-filtering and transferring these fluids. With a 1/2 horsepower motor and Gould pump, as well as a bag filter housing featuring 1/4" inlet/outlet gauge ports, this two wheel hand truck system is used for fluids with viscosities of 300 ssu or less.





1" Self-Priming Centrifugal Pump Specs						
GPH of Water at Total Feet of Head*					Max. Head	
10ft.	20ft.	30ft.	40ft.	50ft.	Ft.	PSI
2280	1920	1440	900	360	57	25

(\* ) Flow rate based on 1" pipe: flow rate and pressure will decrease with smaller pipe and/or base.

Portable Filter Cart – Ordering Code Example:						
	Housing			Options		
Pre-Selected Example Code:	<b>PFC8</b>	<b>30</b>	<b>1P</b>	<b>125</b>	<b>C</b>	<b>B PB</b>
Model No. =	PFC8					
Housing Size		30				
Pipe Size			1P			
Pressure Rating				125		
Housing Material					C	
Cover Seal						B
Basket Type						PB

Model 8 Suggested Bags — General Uses					
	PE	5	P	12	S
Fiber Rating					
<b>Felt, Polyester</b>	=	PE			
Micron Rating (grade)*					
<b>General Use</b>	=	5, 25			
<b>Fine</b>	=	BB-12			
<b>Very Fine</b>	=	BB-10			
<b>Ultra Fine</b>	=	BB-1			
Bag Finish					
<b>None</b>	=		P		
Bag Size and Dimensions					
<b>8-3/8 x 32</b>	=		12		
Bag Style					
<b>Carbon Steel Plated Ring</b>	=			S	